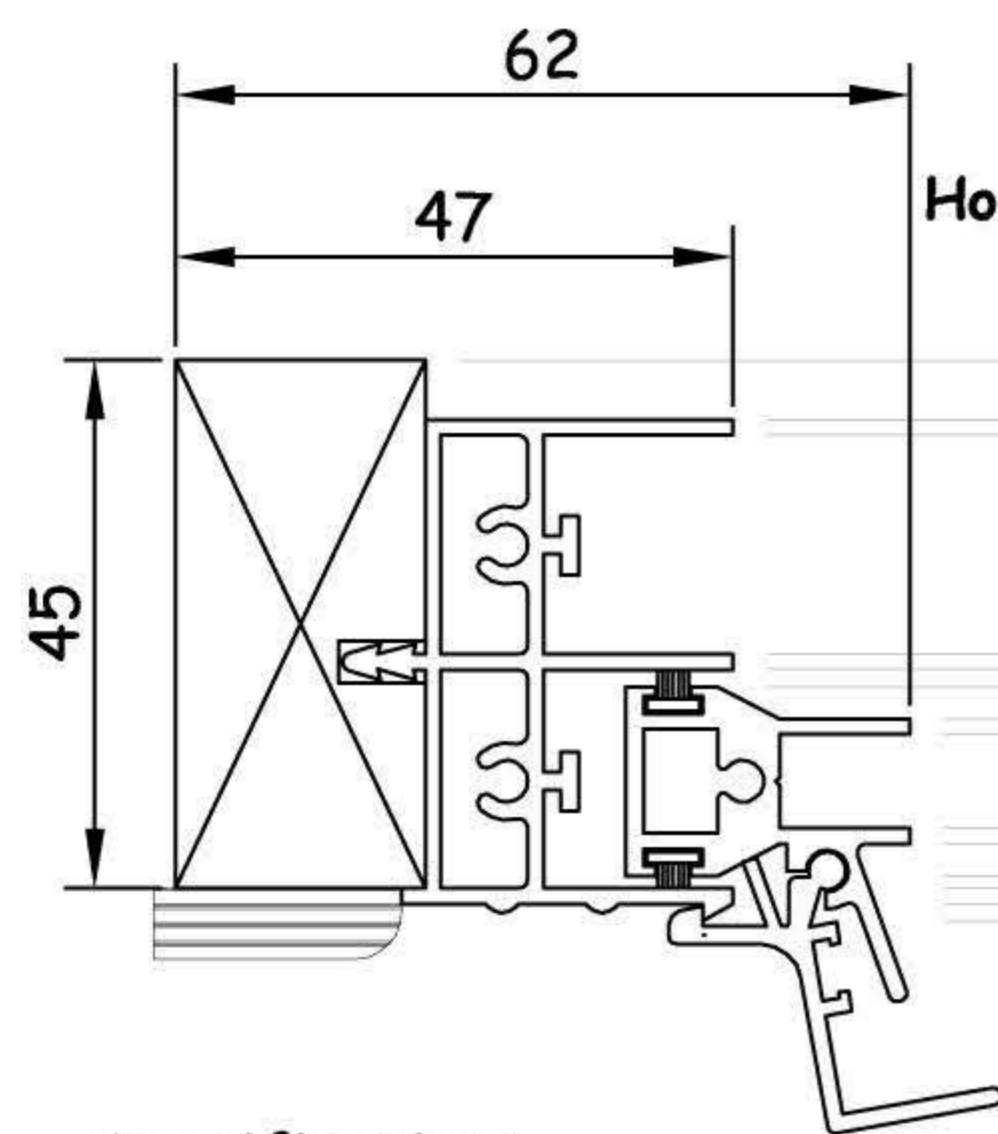
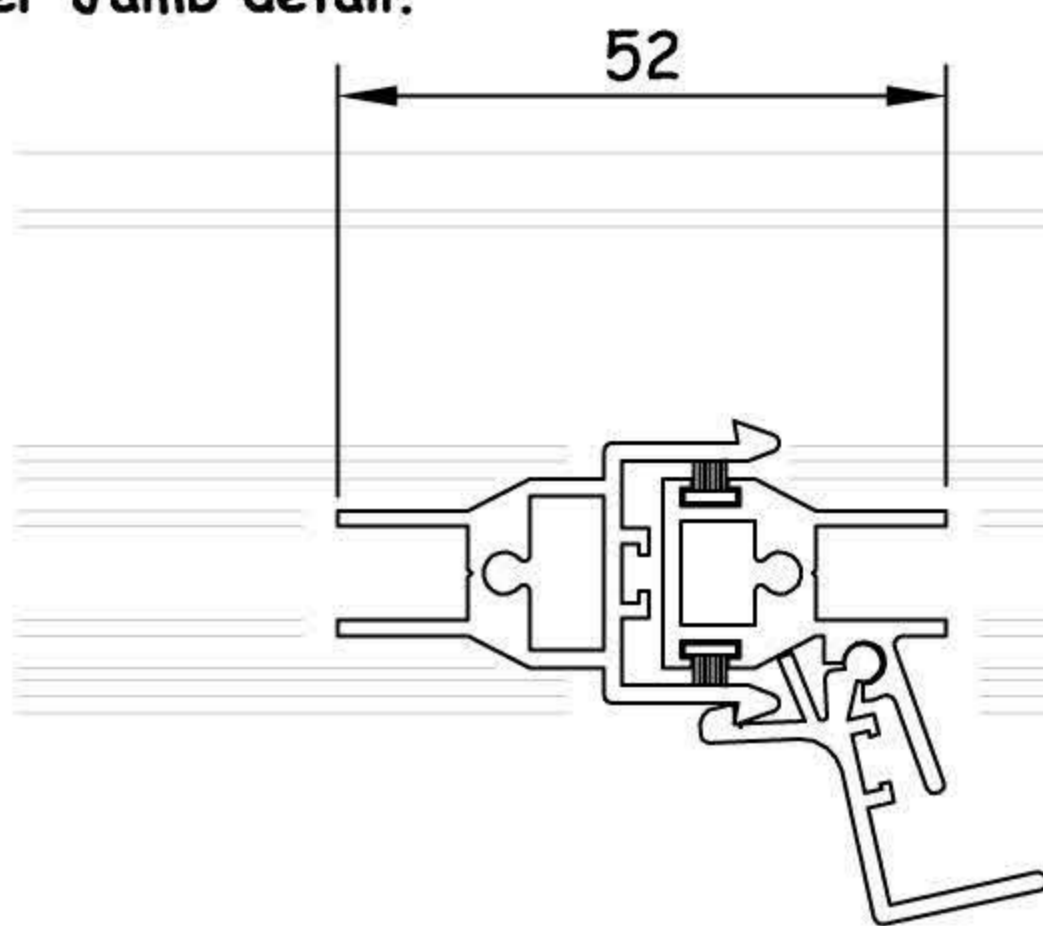


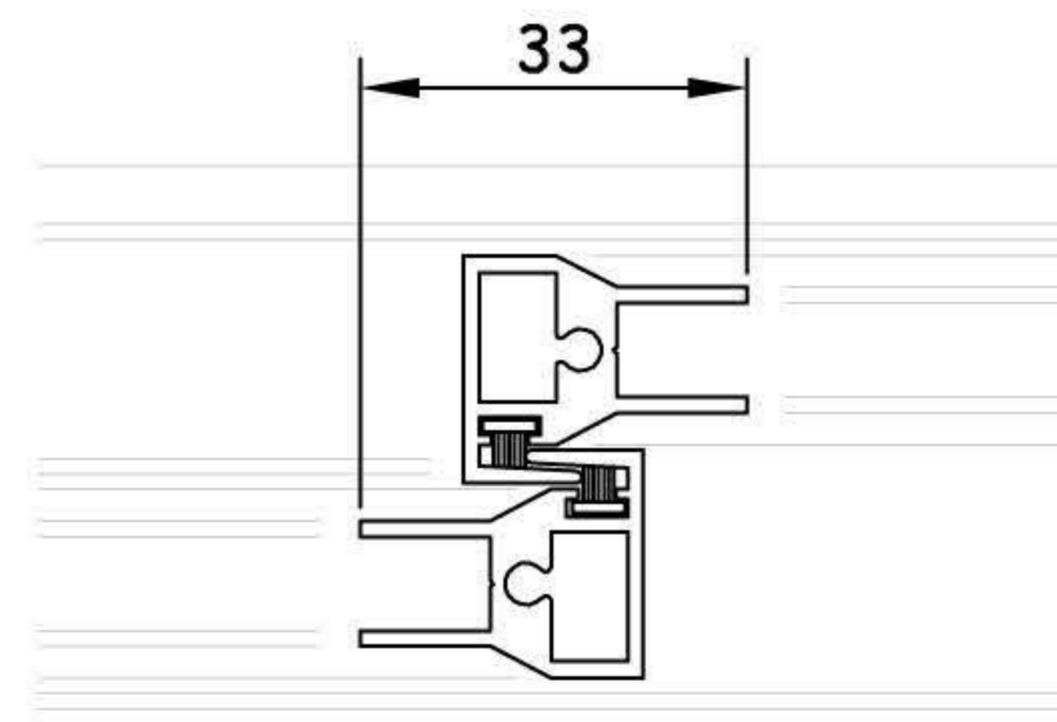
Typical elevation of a CO3 Horizontal Slider, Left hand.



Horizontal Slider Jamb detail.

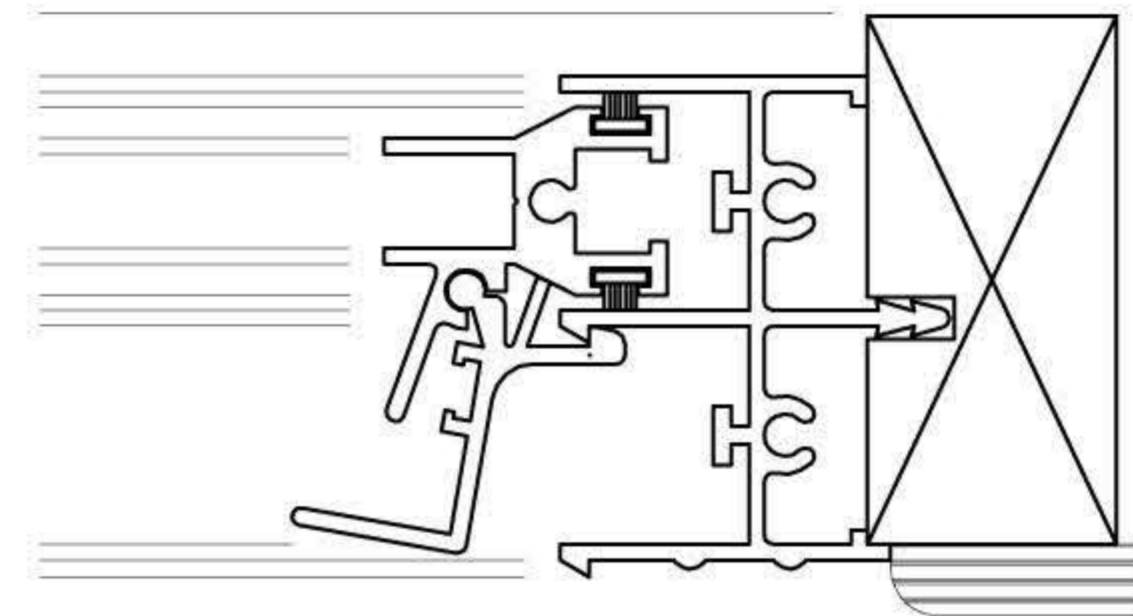


Section through the Horizontal Slider.



**Specification:**

- Aluminium sections are to be extruded from 6060 alloy EN755-2.
- EP White Gloss - 60 Micron finish.
- All aluminium to be powder coated to BS 6496.
- Frames and sashes are to be mechanically jointed using BZP screws to DIN 7982 - 8 microns.
- The sub-frame is from English hardwood, kiln dried to KD:FAS1F.
- Sub-frames are butt jointed using BZP screws to DIN 965 - 8 microns. Standard sizes 45mm x 21mm & 62mm x 21mm.
- Non-standard sizes are available to order.
- All frames are factory glazed.
- A choice of 4mm or 6mm clear float annealed or toughened.
- 6.4mm clear laminate or 6.4mm Acoustic Glass.
- Gaskets are in accordance with BS 2782 in a standard colour of BLACK.
- All sash polypropylene woolpiles are to BS 7386.
- All frames include upvc or timber trim



Drg. No. **CO3 L FF**

Scale: **1:20 & 1:2** (at A4)

Client:

Drawn by:

Architect:

Date:

Contract: **Standard CO3 Horizontal Slider details Left hand.**

**Silent Night Secondary Glazing**  
**Protech Direct**  
 ([www.secondaryglazing.com](http://www.secondaryglazing.com))  
 Blue Bridge Centre  
 Horndale Avenue  
 Newton Aycliffe  
 Durham  
 DL5 6DS  
 tel: 01325 310520