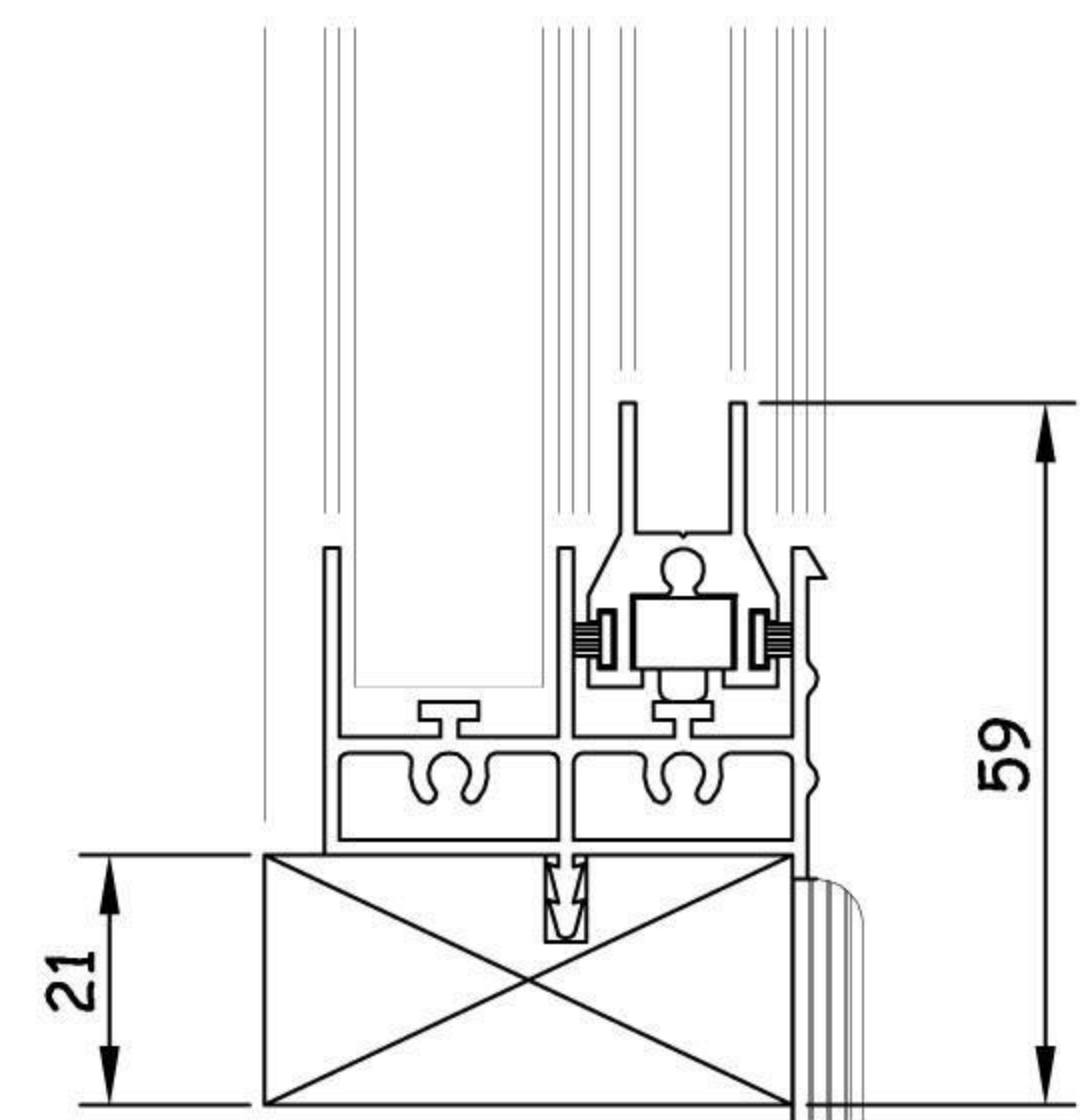
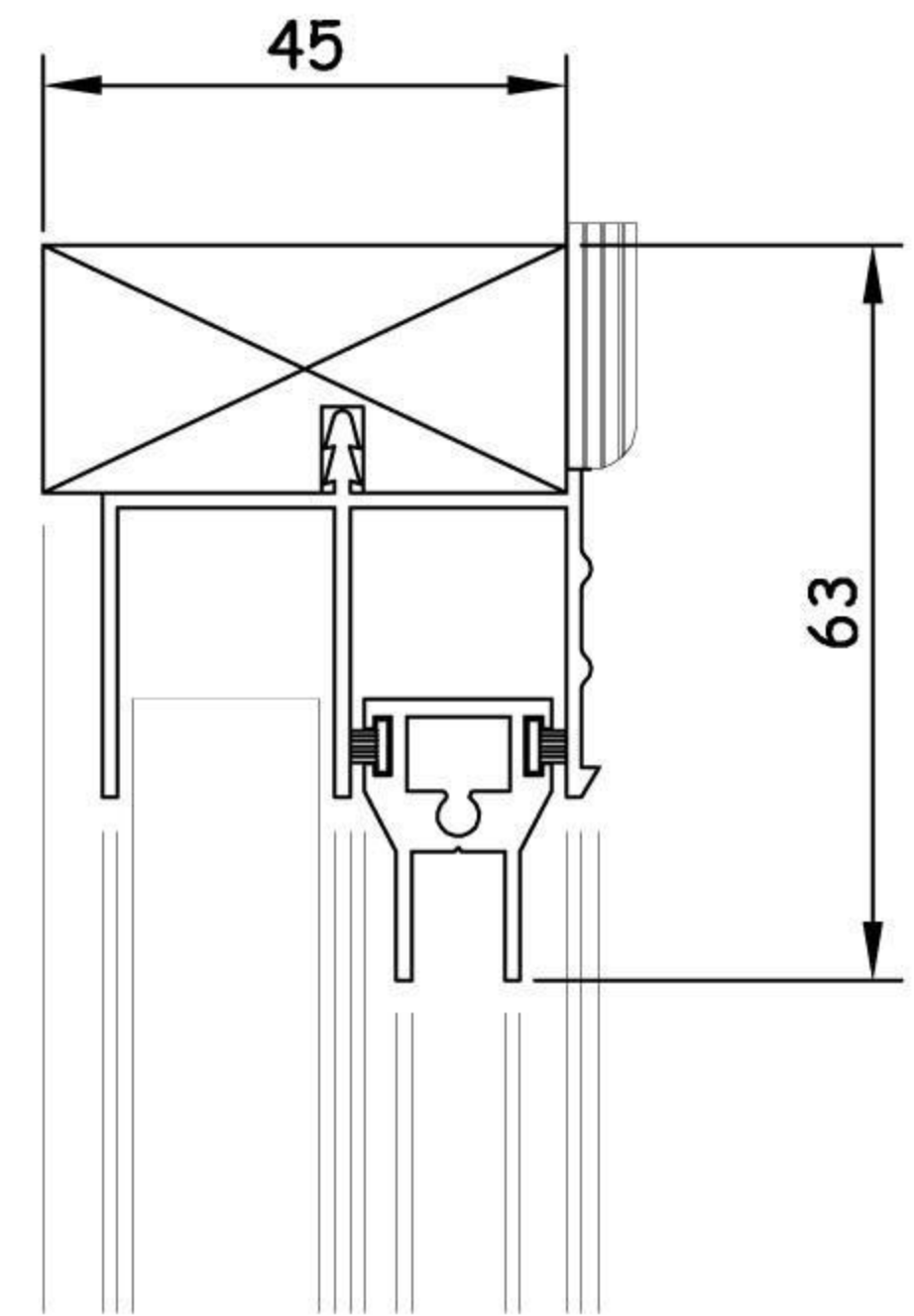
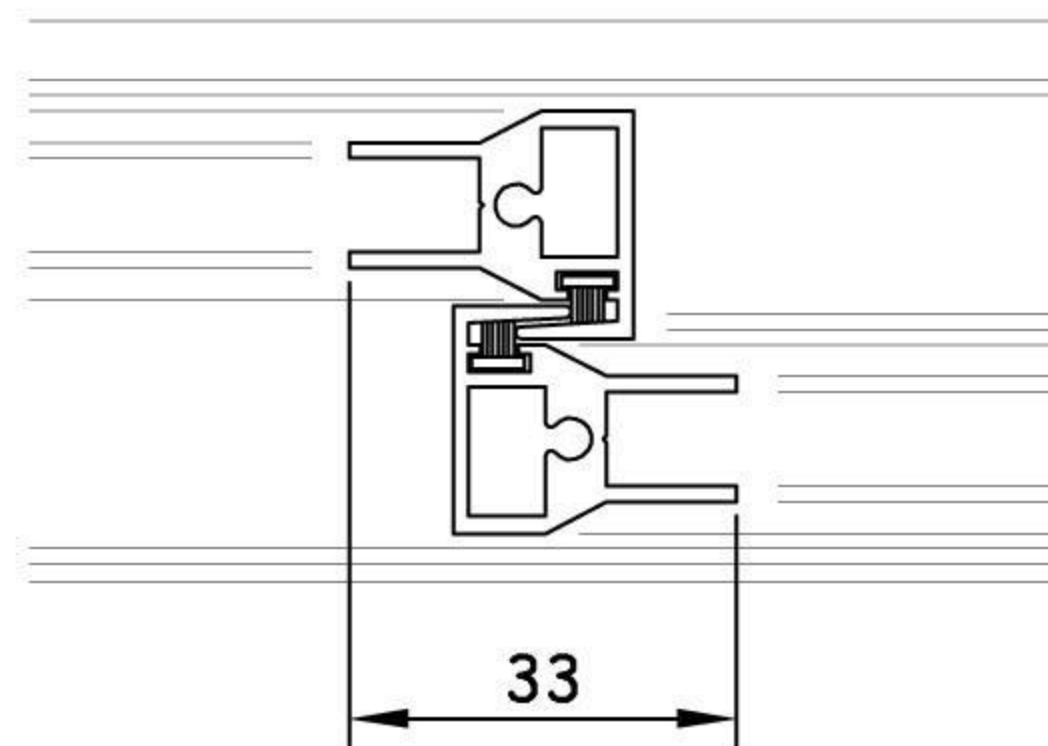
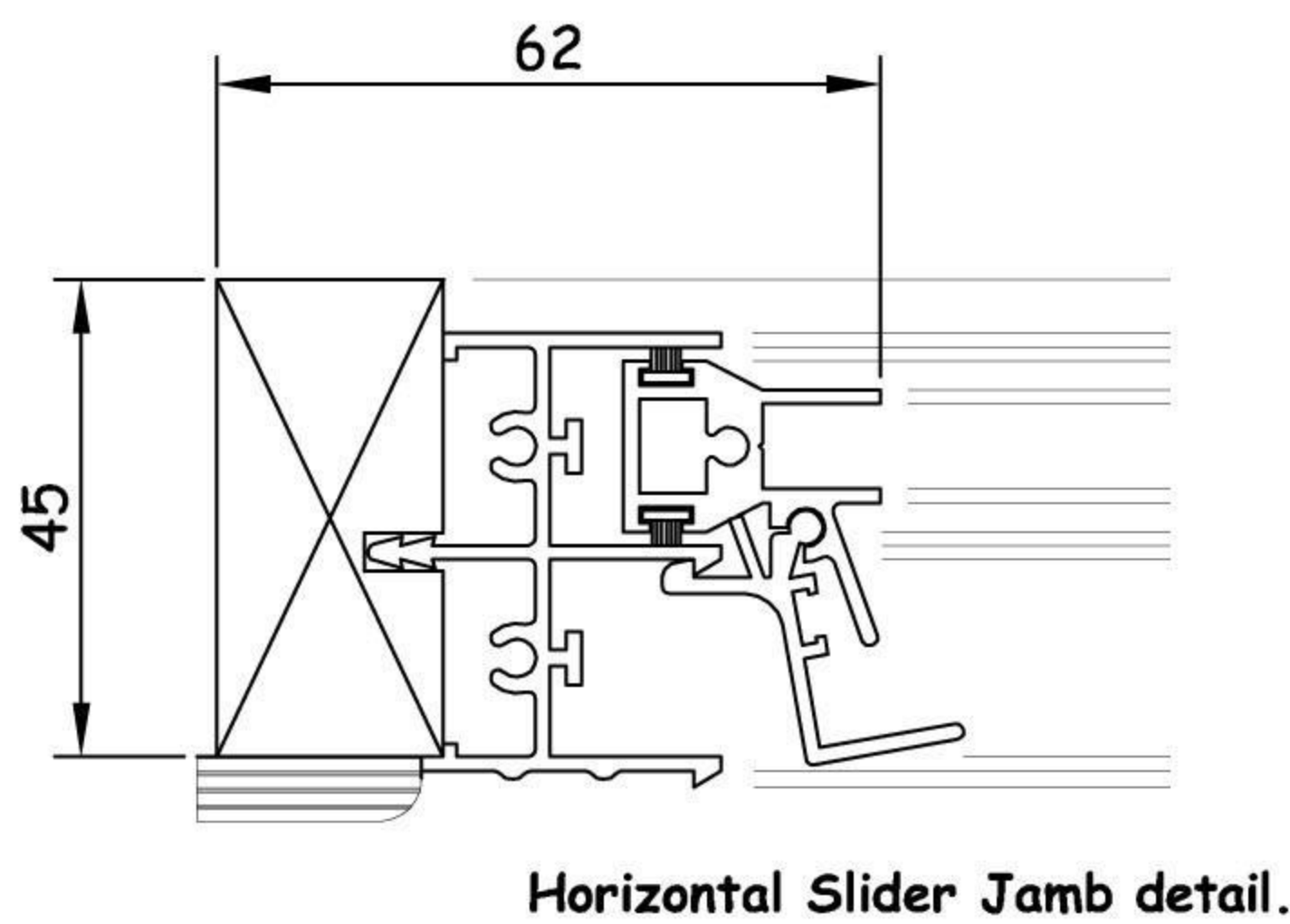


Typical elevation of a SS2 Horizontal Slider.



Section through the Horizontal Slider.



**Specification:**

Aluminium sections are to be extruded from 6060 alloy EN755-2.  
 EP White Gloss - 60 Micron finish.  
 All aluminium to be powder coated to BS 6496.  
 Frames and sashes are to be mechanically jointed using BZP screws to DIN 7982 - 8 microns.  
 The sub-frame is from English hardwood, kiln dried to KD:FAS1F.  
 Sub-frames are butt jointed using BZP screws to DIN 965 - 8 microns. Standard sizes 45mm x 21mm & 62mm x 21mm.  
 Non-standard sizes are available to order.  
 All frames are factory glazed.  
 A choice of 4mm or 6mm clear float annealed or toughened.  
 6.4mm clear laminate or 6.4mm Acoustic Glass.  
 Gaskets are in accordance with BS 2782 in a standard colour of BLACK.  
 All sash polypropylene woolpiles are to BS 7386.  
 All frames include upvc or timber trim

Revision:

Drg. No. **SS2 FF** Scale: **1:20 & 1:2** [at A4]

Client: Drawn by:

Architect: Date:

Contract: **Standard SS2 Horizontal Slider details.  
 45mm Face Fix.**

**Silent Night Secondary Glazing**  
**Protech Direct**  
**(www.secondaryglazing.com)**  
 Blue Bridge Centre  
 Horndale Avenue  
 Newton Aycliffe  
 Durham  
 DL5 6DS  
 tel: 01325 310520